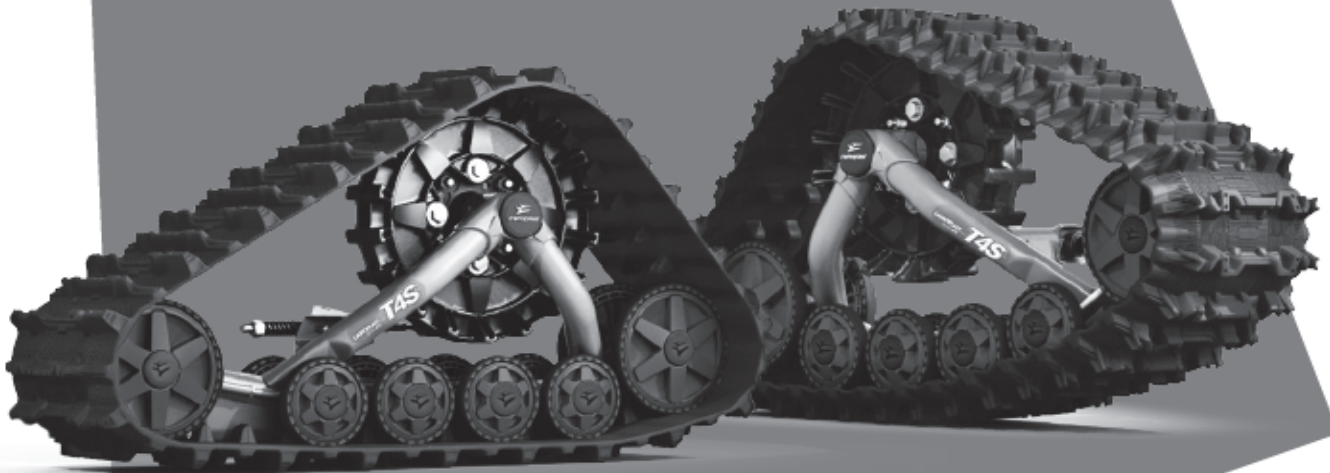


2012

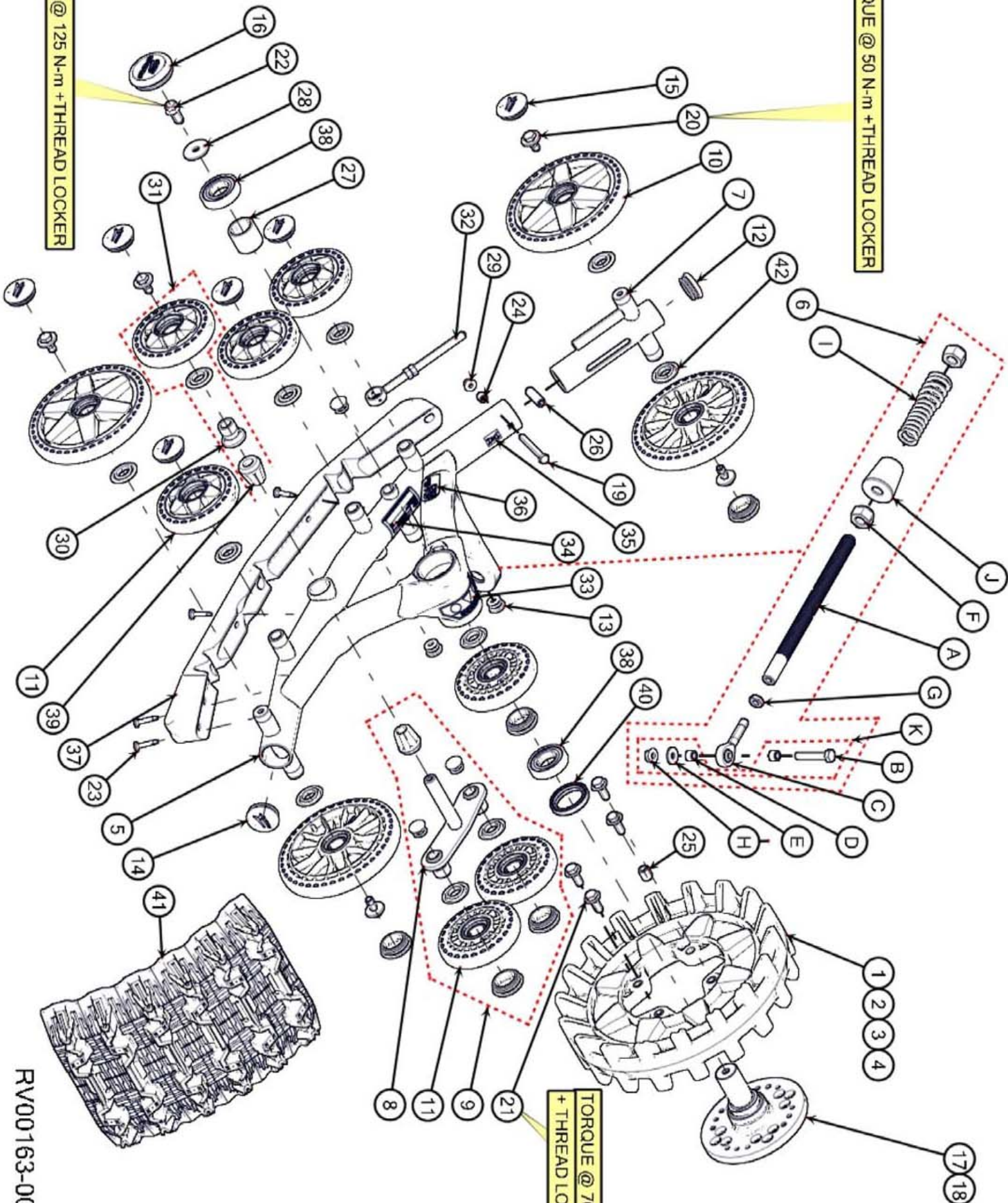
PARTS LIST

CAMOPLAST
TATOU ATV **T4S**



camoplast
HI-PERFORMANCE TRACKS

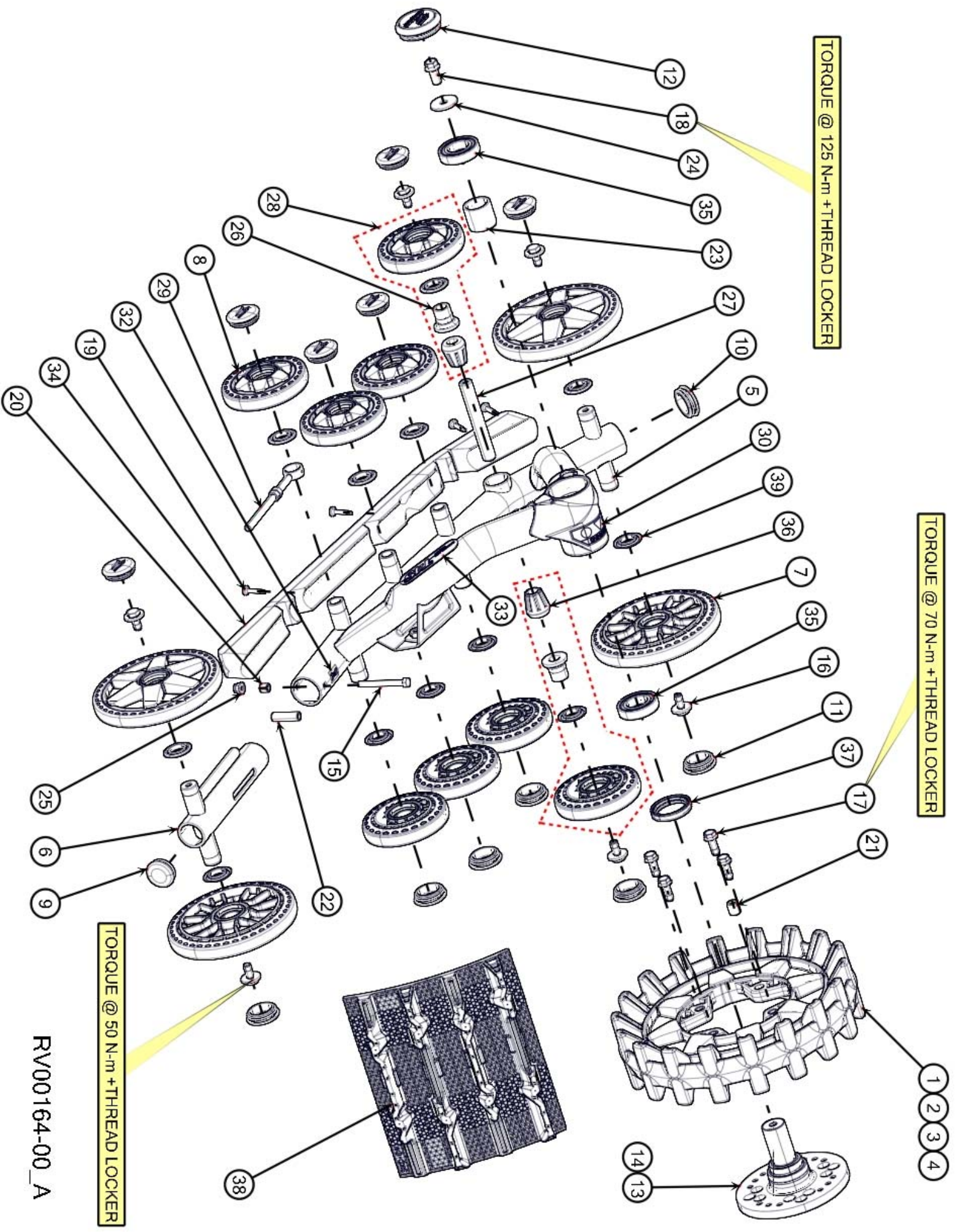
TORQUE @ 50 N·m + THREAD LOCKER



TORQUE @ 125 N·m + THREAD LOCKER

TORQUE @ 70 N·m + THREAD LOCKER

| ITEM # | PART # | DESCRIPTION | QTY |
|--------|--------------|---|-----|
| | | TATOU ATV T4S MY2012 FRONT LEFT & RIGHT | |
| 1 | 1009-00-7115 | INJ SPROCKET, 15 TEETH | 1 |
| 2 | 1009-00-7116 | INJ SPROCKET, 16 TEETH | 1 |
| 3 | 1009-00-7117 | INJ SPROCKET, 17 TEETH | 1 |
| 4 | 1009-00-7118 | INJ SPROCKET, 18 TEETH | 1 |
| 8-A | 1012-00-722X | RH FRONT FRAME - TATOU ATV 4S | 1 |
| 8-B | 1013-00-722X | LH FRONT FRAME - TATOU ATV 4S | 1 |
| 9 | 1001-00-7102 | STABILIZING ROD ASS'Y, 200 LBS/IN | 1 |
| 10 | 1014-00-722X | TENSIONNER - TATOU ATV 4S | 1 |
| 11 | 1015-00-7010 | STABILIZER ASS'Y | 1 |
| 12 | 1015-00-7103 | STABILIZER W/ WHEELS ASS'Y | 1 |
| 13 | 1016-00-0201 | 201mm INJECTION ATV WHEEL ASS'Y | 4 |
| 14 | 1016-00-0133 | 133mm INJECTION ATV WHEEL ASS'Y | 7 |
| 15 | 1017-00-0001 | 2 LIPS CAP, 1-3/4" O.D. TUBE | 1 |
| 16 | 1017-00-0005 | 2 LIPS CAP, 1" O.D. TUBE | 6 |
| 17 | 1017-00-0010 | 2 LIPS CAP, 2" O.D. TUBE (LDPE) | 1 |
| 18 | 1017-00-0110 | 2 LIPS CAP, 2" O.D. TUBE (ESPRENE) | 12 |
| 19 | 1017-00-7081 | HUB CAP BLUE (HOT STAMPED) ASS'Y | 1 |
| 20 | 1019-05-0010 | POLARIS HUB, ASS'Y | 1 |
| 21 | 1019-77-0031 | MULTI-MODEL HUB (METRIC) ASS'Y | 1 |
| 22 | 1033-08-0080 | HEX SCR, ISO 4014, 8.8, ZP / M8x1.25x80 | 1 |
| 23 | 1033-10-2026 | HEX SCR W/WASH 30x3, 8.8, ZP, TL 9S-1026 / M10x1.5x25 | 5 |
| 24 | 1036-10-4030 | SERRATED HEX SCR, DIN 6921, 10.9, ZP, TL 9S-1026 / M10x1.5x30 | 4 |
| 25 | 1036-12-4030 | HEX FLG SCR, DIN 6921, 10.9, ZP, TL 9S-1026 / M12x1.75x30 | 1 |
| 26 | 1049-00-0007 | WAFER SQ DR DRILL SCR, Z P, #12-24 x 1.5" | 4 |
| 27 | 1050-00-0016 | SLIDE BUSHING | 1 |
| 28 | 1050-00-0011 | BUSHING 5/8" O.D. x 27/32" I.D. x 18" LG | 4 |
| 29 | 1051-00-0015 | TENSIONNER BUSHING | 1 |
| 30 | 1051-00-0037 | INTERNAL SPACER | 1 |
| 31 | 1061-00-0025 | WASHER SPINDLE HUB ID. 0.52 X OD. 1.63 X 0.109 THK. | 1 |
| 32 | 1074-08-0001 | HEX FL NY NUT, ISO 4161, 8.8, ZP / M8x1.25 | 1 |
| 33 | 1082-00-7001 | WHEEL AXLE, STABILIZER | 1 |
| 34 | 1082-00-7110 | WHEEL AXLE / WHEELS ASS'Y | 1 |
| 35 | 1082-00-7050 | TENSIONNER ROD / HEX NUT ASS'Y | 1 |
| 36 | 1083-00-8002 | STICKER - WARNING | 1 |
| 37 | 1083-00-8040 | STICKER - SERIAL NUMBER TATOU ATV 4S | 1 |
| 38-A | 1083-00-8100 | STICKER - FRONT LEFT PICTOGRAM | 1 |
| 38-B | 1083-00-8110 | STICKER - FRONT RIGHT PICTOGRAM | 1 |
| 39 | 1083-00-7375 | STICKER - TATOU ATV T4S MY2012 | 1 |
| 40 | 1085-00-7010 | TRACK GUIDE - TATOU 4S | 1 |
| 41 | 1090-00-0001 | BALL BEARING, SEALED | 2 |
| 42 | 1093-00-7000 | RUBBER CONE, STABILIZER | 2 |
| 43 | 1093-00-7002 | SHAFT SEAL 50 x 62 x 10 TC | 1 |
| 44 | 1093-00-7600 | TRACK 11.5" x 93.38" x 1.00" (9150S) | 1 |
| 45 | 1093-00-7009 | WHEEL SEAL (25 ID X 42 OD) | 11 |
| | | | |
| A | 1000-00-7002 | THREADED ROD, STABILIZING ROD | 1 |
| B | 1033-10-1060 | HEX SCR, ISO 4014, 10.9 ZP / M10x1.5x60 | 1 |
| C | 1047-00-7010 | ROD END, STABILIZING ROD | 1 |
| D | 1050-00-0013 | ROD END SPACER | 2 |
| E | 1060-00-0004 | WASHER, 8, ZP, 7/16IDx1ODx0.072T | 1 |
| F | 1071-20-0001 | HEX NYLON NUT, ISO 7040 8.8, ZP / M20x2.5 | 2 |
| G | 1073-12-3002 | HEX THIN NUT 8.8, ISO 4037, ZP / M12x1.25 | 1 |
| H | 1074-10-0001 | HEX FL NY NUT, ISO 4161, 8.8, ZP / M10x1.5 | 1 |
| I | 1080-00-0002 | 200 LBS/IN COMPRESSION SPRING | 1 |
| J | 1093-00-7007 | RUBBER DAMPER | 1 |
| K | 1033-AS-0025 | STABILIZING ROD SHORT BOLTS KIT | 1 |

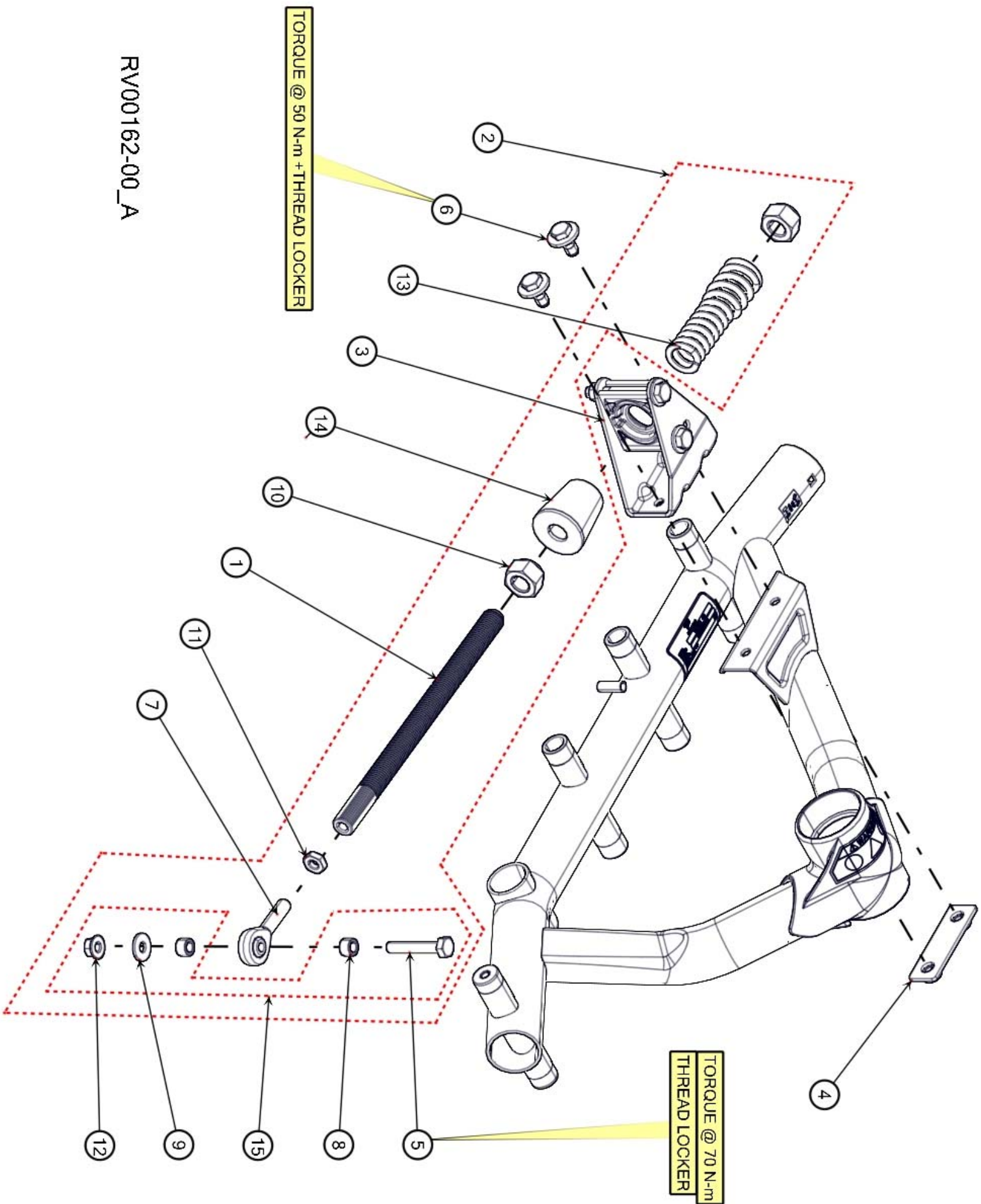


TORQUE @ 125 N-m + THREAD LOCKER

TORQUE @ 70 N-m + THREAD LOCKER

TORQUE @ 50 N-m + THREAD LOCKER

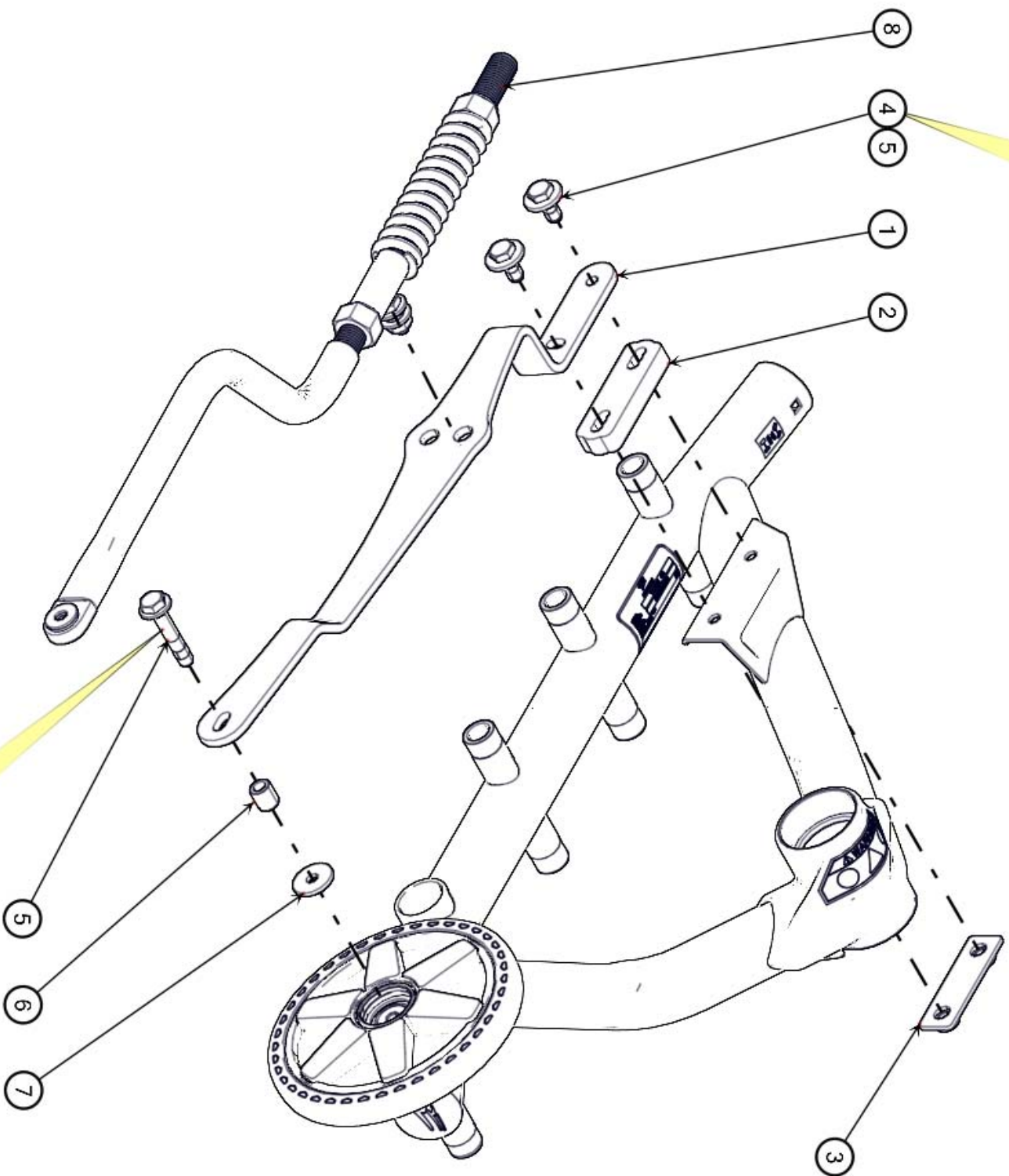
RV00164-00_A



RV00162-00_A

| ITEM # | PART # | DESCRIPTION | QTY |
|--------|--------------|--|-----|
| | | TATOU ATV T4S MY2012 INDEPENDEND SUSPENSION (IS) | |
| 1 | 1000-00-7002 | THREADED ROD, STABILIZING ROD | 1 |
| 2 | 1001-00-7102 | STABILIZING ROD ASS'Y | 1 |
| 3 | 1015-00-2000 | UNIVERSAL BRACKET ANTI-ROT. ASSY. (IS) | 1 |
| 4 | 1015-00-7026 | BACK PLATE | 1 |
| 5 | 1033-10-1060 | HEX SCR - ISO 4014, 10.9 ZP / M10x1.5x60 | 1 |
| 6 | 1033-10-2026 | HEX SCR W/WASH - 30x3, 8.8, YZN, TL 9S-1026 / M10x1.5x25 | 2 |
| 7 | 1047-00-7010 | ROD END, STABILIZING ROD | 1 |
| 8 | 1050-00-0013 | ROD END SPACER | 2 |
| 9 | 1060-00-0004 | WASHER - 8, ZP, 7/16IDx1ODx0,072T | 3 |
| 10 | 1071-20-0001 | HEX NYLON NUT, ISO 7040 8.8, ZP / M20x2.5 | 2 |
| 11 | 1073-12-3002 | HEX THIN NUT - 8.8, ISO 4037, ZP / M12x1.25 | 1 |
| 12 | 1074-10-0001 | HEX FL NY NUT - ISO 4161, 8.8, ZP / M10x1.5 | 1 |
| 13 | 1080-00-0002 | COMPRESSION SPRING - 200 LBS/IN | 1 |
| 14 | 1093-00-7007 | RUBBER DAMPER | 1 |
| 15 | 1033-AS-0025 | STABILIZING ROD SHORT BOLTS KIT | 1 |
| | | 2012-04-25 REV A | |

TORQUE @ 50 N·m + THREAD LOCKER



TORQUE @ 50 N·m + THREAD LOCKER

| ITEM # | PART # | DESCRIPTION | QTY |
|--------|--------------|--|-----|
| | | TATOU ATV T4S MY2012 RIGID SUSPENSION (RS) | |
| 1 | 1015-00-7004 | LH, BRACKET ANTI-ROTATION (RS) | 1 |
| 2 | 1015-00-7014 | RH, BRACKET ANTI-ROTATION (RS) | 1 |
| 3 | 1015-00-7026 | BACK PLATE | 1 |
| 4 | 1033-10-2026 | HEX SCR W/WASH 30x3, 8.8, YZN, TL 9S-1026 / M10x1.5x25 | 2 |
| 5 | 1033-10-2045 | HEX SCR W/WASH 25x2,8.8,YZN,TL 9S-1026 / | 1 |
| 6 | 1050-00-0011 | BUSHING 5/8" O.D. x 27/32" I.D. x 18" LG | 1 |
| 7 | 1060-38-0114 | WASHER, 8, ZP, 13/32IDx1-1/4ODx0.120T | 1 |
| 8 | VAR | REFER TO INSTALLATION GUIDE LINES DOCUMENTATION | 1 |
| | | 2012-04-25 REV A | |